

Order No.: 5XB31K2B408C | GTIN (EAN): 4058352226865

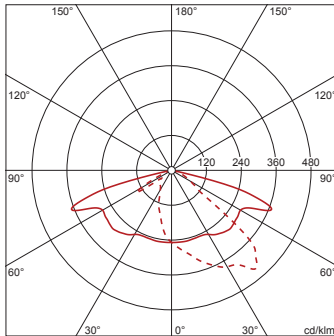
Product description: SL20md,ST1.0a,LED12490lm740,Plus



Streetlight 20 midi LED, mast luminaire, primary light control with lens, of PMMA, primary optical cover: cover, of toughened safety glass, transparent, light distribution: ST1.0a, light emission: direct distribution, primary light characteristic: asymmetric, installation type: post-top, side-entry, LED, LED High Power, rated luminous flux: 12.490lm, luminous efficacy: 126lm/W, light colour: 740, colour temperature: 4000K, control gear: ECG Plus, control: power reduction, digital communication interface, constant luminous flux control, time-dependent luminous flux control, flexible luminous flux parameterisation, overheat protection, electronic power reduction, mains connection: 220..240V, AC, 50/60Hz, start of lifetime: 99W, end of lifetime: 103W, reduction: 45W, luminaire housing, of diecast aluminium, powder-coated, Siteco® metallic grey (DB 702S), length: 535mm, width: 230mm, height: 120mm, spigot size: 42/60/76mm (post-top) and 42/60mm (side-entry), mast flange for spigot size: 42mm: 5XA59000XM4, 60mm: 5XA59000XM2, 76mm: 5XA59000XM1, protection rating (complete): IP66, insulation class (complete): insulation class II (safety insulation), certification: CE, ENEC, VDE, impact resistance: IK09, permissible operating ambient temperature for outdoor applications: -35..+50°C, standard-compliant lighting for roads and squares, packaging unit: 1 piece

4058352226865
5XB31K2B408C

LED 4000K / CRI ≥ 70 ϕ_N 12490 lm



Lamps: LED
Wt. (kg): 6.6
GTIN (EAN): 4058352226865

siteco 5XB31K2B408C

The luminaire contains built-in LED lamps

A++

A+

A

B

C

D

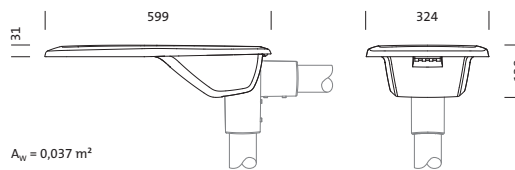
E

} LED

X

The LED-lamps cannot be changed in the luminaire

874/2012



Order No.: 5XB31K2B408C | GTIN (EAN): 4058352226865

Detailed technical description: SL20md,ST1.0a,LED12490lm740,Plus



Key data

- Product type: mast luminaire
- Family: Streetlight 20 midi LED
- Order No.: 5XB31K2B408C

Lighting technology | Lamps | Control gear

Component 1

Lighting technology:

- Light control: lens of PMMA
- Cover: cover, transparent
- Light distribution: ST1.0a
- Beam angle: wide distribution
- Symmetry: asymmetric distribution
- Light emission: direct distribution

Lamps:

- Lamps: with LED High Power, LED
- Rated luminous flux: 12490lm
- Luminous efficacy: 126lm/W
- Colour temperature: 4000K
- Colour rendering index: CRI > 70
- Light colour: 740
- Rated input power begin service life: 99
- Rated input power end service life: 103
- Rated input power at 50% lumin. flux: 45

Operating device:

- Control gear: ECG Plus
- Control: Plus
- Equipment: overheat protection, power reduction, digital communication interface, constant luminous flux control, time-dependent luminous flux control, flexible luminous flux parameterisation
- Switching method: electronic power reduction

Material | Colour

- luminaire housing: diecast aluminium, powder-coated, Siteco® metallic grey (DB 702S), please order mast flange separately, inclination adjustable at 0°, 5°, 10°, 15°
- Cover: cover of toughened safety glass

Mounting

- Mounting method, mounting location: side-entry, post-top, on mast

Electrical connection

- Nominal voltage: 220..240V, AC, 50/60Hz
- Surge voltage resistance: 10kV 1.2/50µs

Dimensions | Weight

- Length: 535mm
- Width: 230mm
- Height: 120mm
- Mast head: spigot size: 42/60/76mm (post-top) and 42/60mm (side-entry), mast flange for spigot size: 42mm: 5XA59000XM4, 60mm: 5XA59000XM2, 76mm: 5XA59000XM1
- Weight: 6.6kg

Certificates | Standards

- Protection rating: IP66
- Insulation class: insulation class II (safety insulation)
- Impact resistance: IK09
- Supplement: standard-compliant lighting for roads and squares
- Certification, designation: CE, ENEC, VDE

Light emission

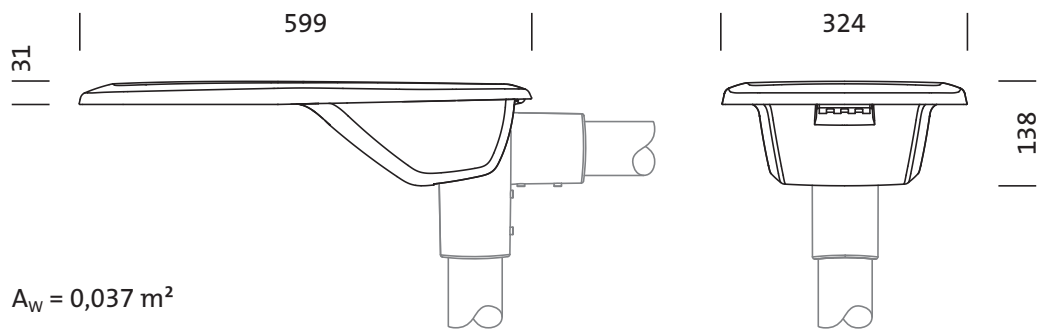
- Light emission: 0% at 0° inclination

Service life

- Rated life: 100000h (L97/B10) at AT = 25°C

Order No.: 5XB31K2B408C | GTIN (EAN): 4058352226865

Dimensions: SL20md,ST1.0a,LED12490lm740,Plus



Order No.: 5XB31K2B408C | GTIN (EAN): 4058352226865

Planning data: SL20md,ST1.0a,LED12490lm740,Plus

5XB31K2B408C: 1x LED

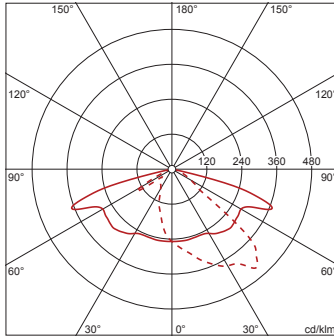
4000K / CRI \geq 70

4058352226865

5XB31K2B408C

LED 4000K / CRI \geq 70

Φ_N 12490 lm



— C 0/180 - - - C 90/270

Luminous intensity class according to
EN13201-2: G3