

CUBE Spotlight



Description

LED Spotlight

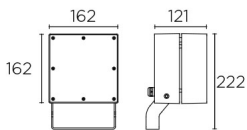
For downlighting.. Structure with double body design to prevent heat generated by the LED affecting the useful life of the driver. Suitable for installation in marine environments. Includes 2 cable outlets to facilitate chain mounting. Adjustable light source. Structure material: High purity aluminium. Structure finish: Urban grey. Diffuser material: Polycarbonate. Diffuser finish: Transparent. UV protection. Warranty: 5 Years.

Finish

Urban grey
Transparent

Material

High purity aluminium
Polycarbonate



TECHNICAL CHARACTERISTICS

Light source

Light source: LED CREE
Output (W): 54W
Total power consumption (W): 60.5 W
Color temperature: Warm White - 3000K
CRI: 80
Real Lumen: 5015
Nominal Lumen: 6339
Qty Leds: 16
Lm/Real W: 83
Life Time: 45,000h L80B20
Bin / Grup: 7C1 o 7B4
MacAdam steps: 3
UGR: 14
Photobiological risk: RG2

GEAR

Brand: HEP
Gear included: Yes, electronic
Voltage / Frequency:
100-240VAC/50-60Hz
Power Factor: 0.90
Dimming protocol: 1..10V
Flickering: 14.4%

Luminaire

Double cable exit: Yes
Drainage: No
Seaside: Yes
Uv Protection: Yes
Warranty: 5 Years

Logistics

Energy Efficiency: LED A++
EAN Code: 8435526800704
Net Weight (Kg): 2.318
Weight in Kg (packaged): 2.650
Packing: 235 x 170 x 180
Masterbox: 4

The photograph may not match the reference exactly. Please read the product description to identify the finish.

OPTIONAL ACCESSORIES



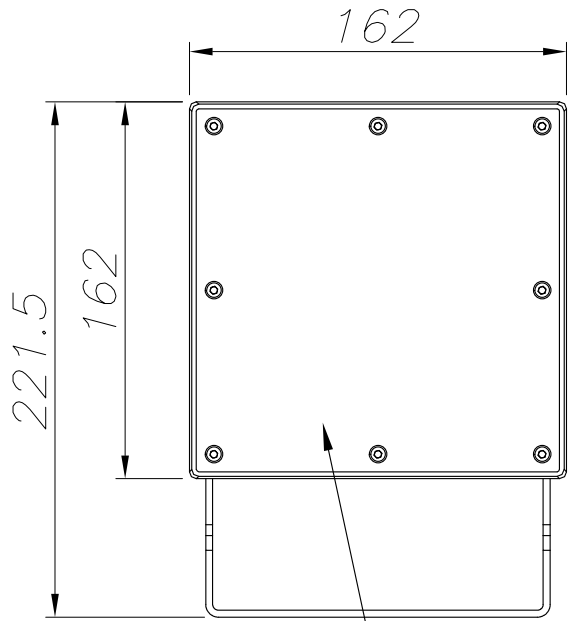
71-9487-Z5-Z5V1

Structure material: Galvanized steel
Net Weight (Kg): 0.790

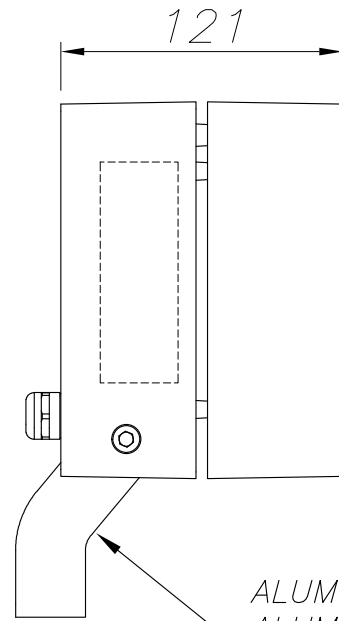


71-9943-Z5-Z5

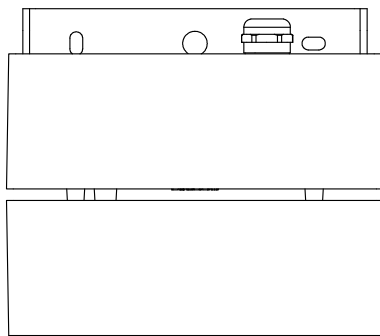
Structure material: Aluminium
Net Weight (Kg): 0.120



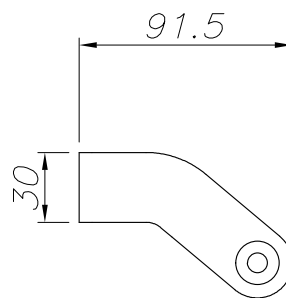
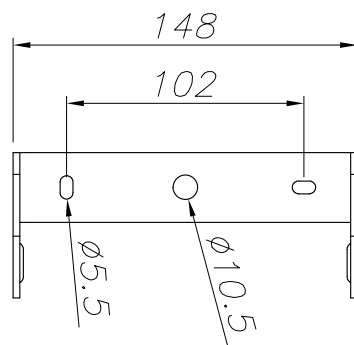
PC TRANSPARENTE
TRANSPARENT PC



ALUMINIO
ALUMINIUM



ALUMINIO INYECTADO
INJECTED ALUMINIUM

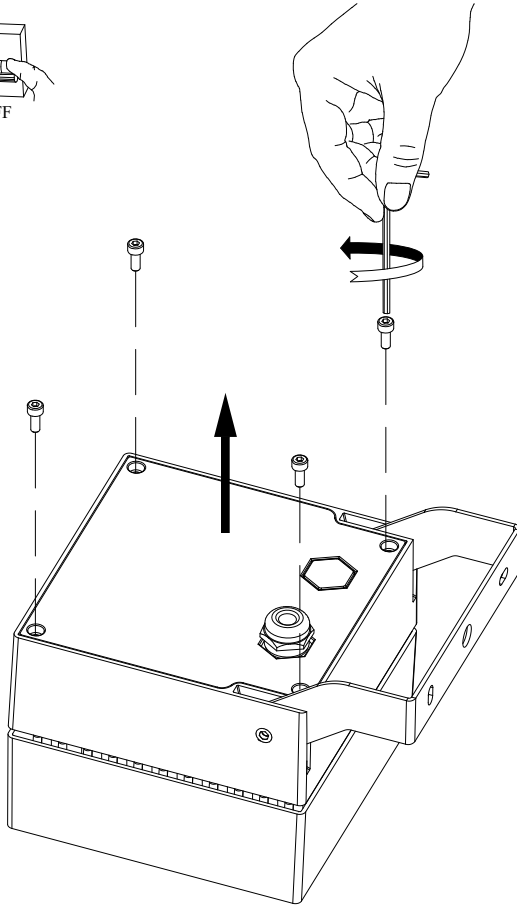
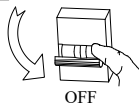


PLANTILLA DE INSTALACIÓN
INSTALLATION TEMPLATE

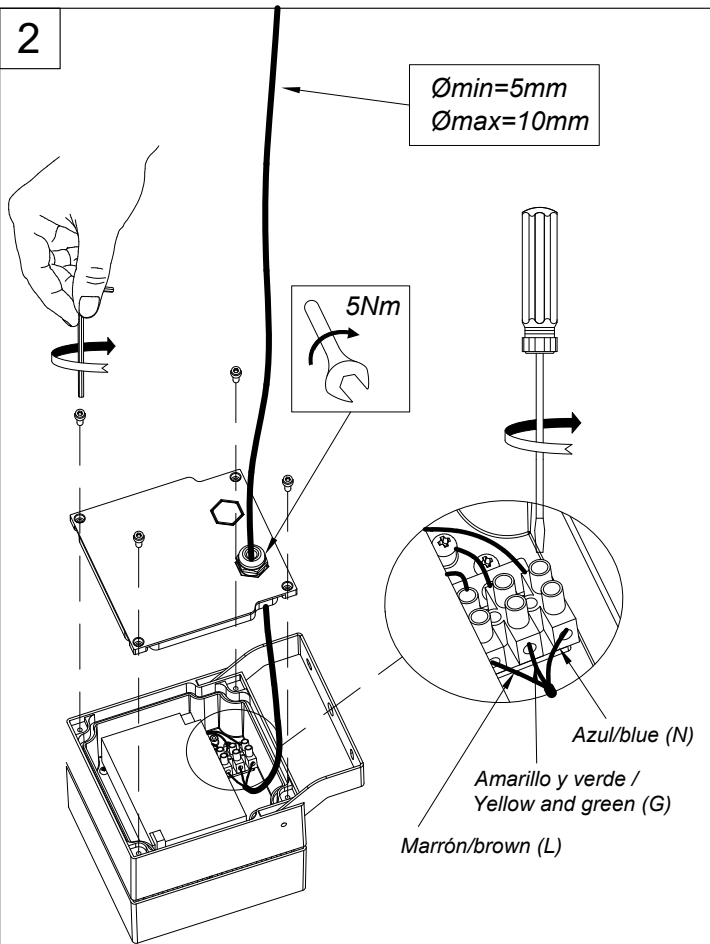
LEDS C4⁺

05-9929V1, 05-9930V1, 05-9931V1

1



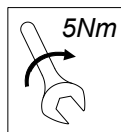
2



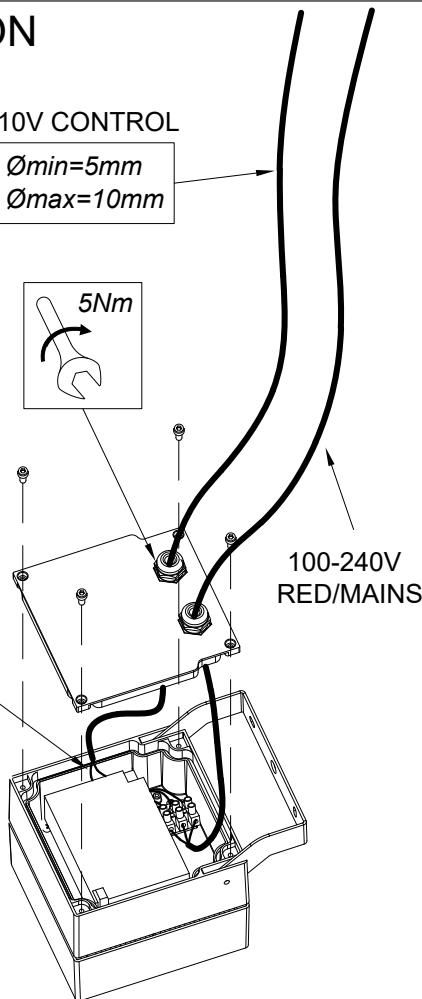
3 1-10V OPTION

1-10V CONTROL

Ømin=5mm
Ømax=10mm



1-10V -
1-10V +



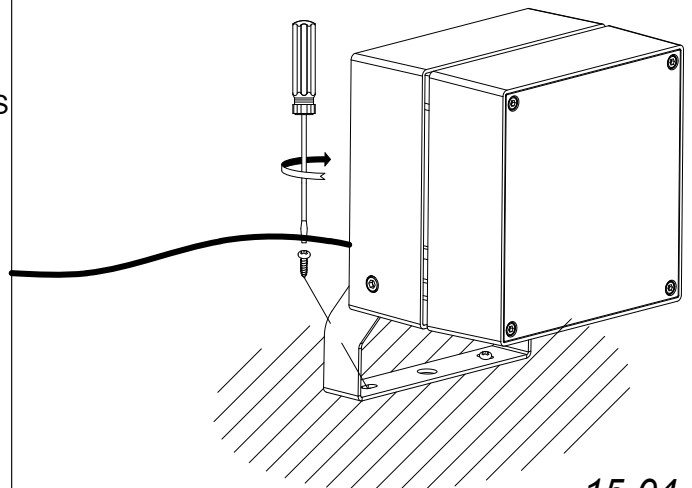
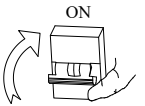
4

05-9929V1 / 05-9930V1 / 05-9931V1

Superficie máxima expuesta
Maximum exposed surface: 256cm²

Peso / Weight: 2100g

Dimensiones / Size: 160x160x120mm



15-04-19