

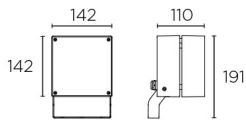
CUBE Spotlight



Description

LED Spotlight for outdoor use.

With adjustable lighting positioning. Structure with double body design to prevent heat generated by the LED affecting the useful life of the driver. Adjustable light source. Structure material: High purity aluminium. Structure finish: Urban grey. Diffuser material: Polycarbonate. Diffuser finish: Transparent. UV protection. Warranty: 5 Years.

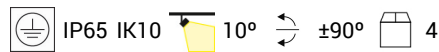


Finish

Urban grey
Transparent

Material

High purity aluminium
Polycarbonate



TECHNICAL CHARACTERISTICS

Light source

Light source: LED CREE
Output (W): 33.5W
Total power consumption (W): 41.1
Color temperature: Neutral white - 4000K
CRI: 80
Real Lumen: 3227
Nominal Lumen: 3819
Qty Leds: 9
Lm/Real W: 79
Life Time: 50.000h L90B10
Bin / Grup: 5A3 o 5D2
MacAdam steps: 3
UGR: 13.2
Photobiological risk: RG2

GEAR

Brand: HEP
Gear included: Yes, electronic
Voltage / Frequency:
100-240VAC/50-60Hz
Power Factor: 0.90

Luminaire

Double cable exit: No
Drainage: No
Uv Protection: Yes
Warranty: 5 Years

Logistics

Energy Efficiency: LED A++
EAN Code: 8435381443375
Net Weight (Kg): 1.625
Weight in Kg (packaged): 1.870
Packing: 200 x 160 x 170
Masterbox: 4

The photograph may not match the reference exactly. Please read the product description to identify the finish.

OPTIONAL ACCESSORIES



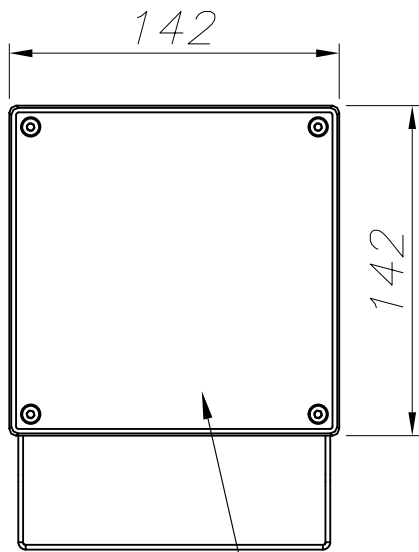
71-9487-Z5-Z5V1

Structure material: Galvanized steel
Net Weight (Kg): 0.790

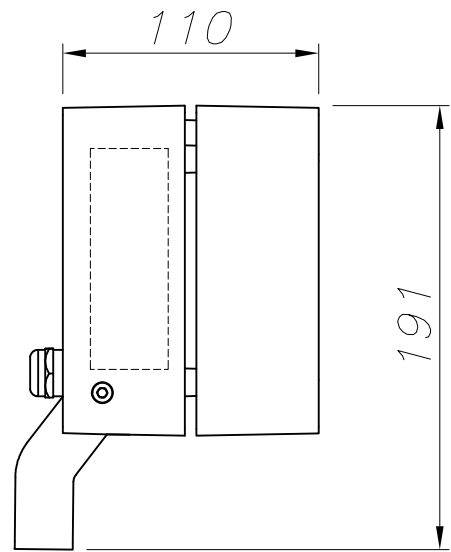


71-9942-Z5-Z5

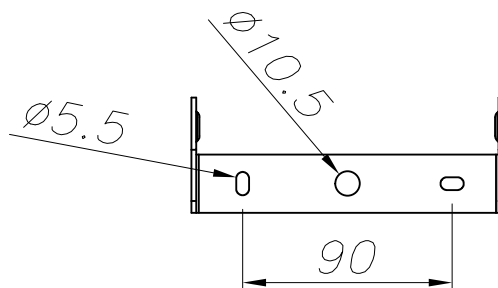
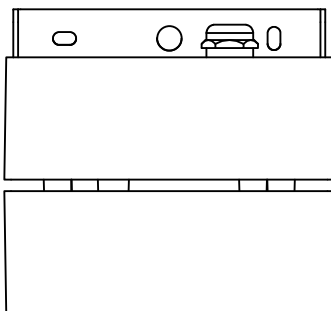
Structure material: Aluminium
Net Weight (Kg): 0.073



PC TRANSPARENTE
TRANSPARENT PC



ALUMINIO
ALUMINIUM



PLANTILLA DE INSTALACIÓN
INSTALLATION TEMPLATE

