

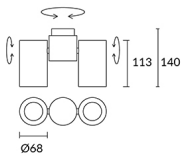
PIPE Spotlight



Description

Recessed light fitting for indoor use.

For downlighting. Ideal deco-tech compositions. Minimalist design. Highly versatile, multiple installations. Highly customisable: accessories, finishes... Optimum price-performance. Optimum visual comfort. Embedded/surface mounted double installation. Easy installation. Full collection with complementary products. High durability for intensive use. Adjustable light source. Structure material: Aluminium, Steel. Structure finish: Matt white, Matt black. Warranty: 5 Years.



Finish
Matt white
Matt black

Material
Aluminium
Steel



TECHNICAL CHARACTERISTICS

Light source

Lampholder: 2 x GU10
Output (W): MAX 50W
Total power consumption (W): 100
Real Lumen: 647
Quantity: 2
Lm/Real W: 6
UGR: 11.5

GEAR

Voltage / Frequency:
220-240VAC/50-60Hz

Luminaire

Warranty: 5 Years

Logistics

Energy Efficiency: NO BULB
EAN Code: 8435111088166
Net Weight (Kg): 0.820
Weight in Kg (packaged): 1.116
Packing: 240 x 180 x 85
Masterbox: 6

The photograph may not match the reference exactly. Please read the product description to identify the finish.

OPTIONAL ACCESSORIES



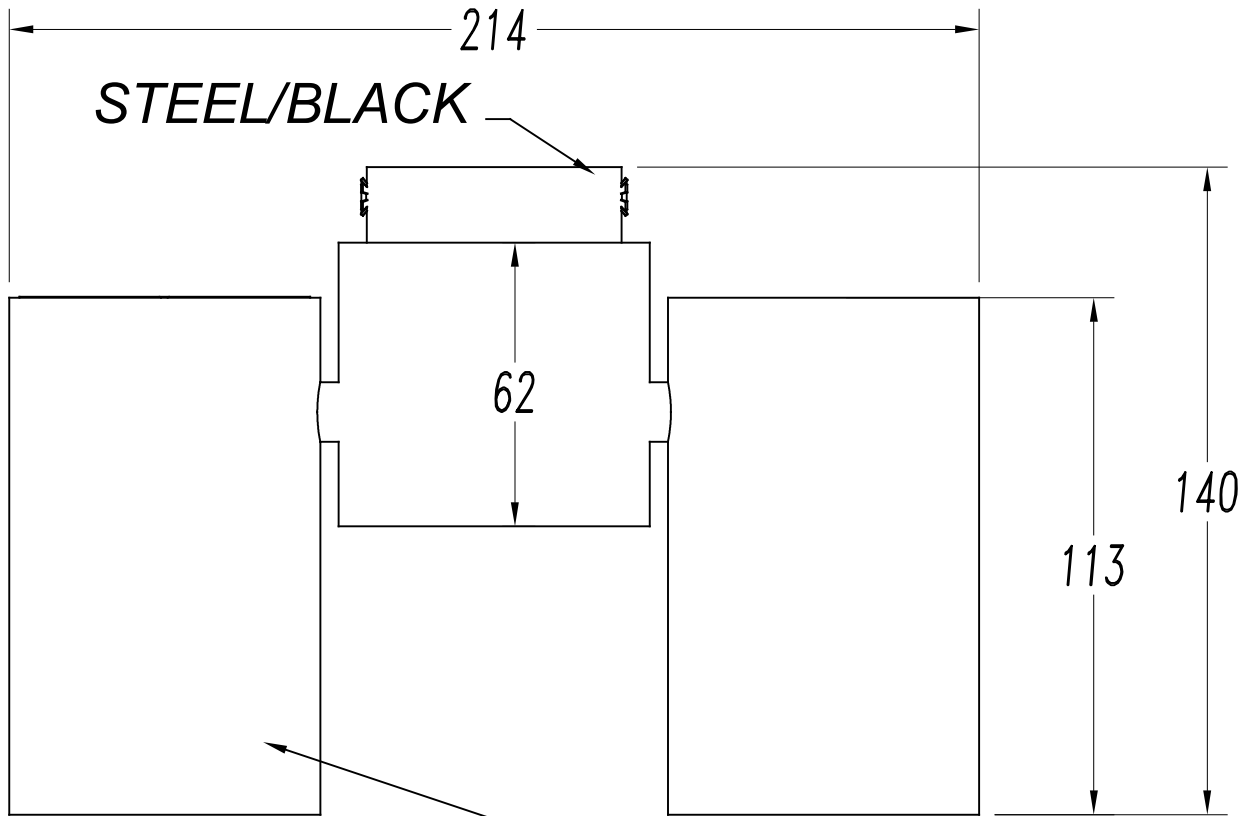
71-0073-05-05

Structure material: Steel
Dimensions: 68 x 0 x 20
Net Weight (Kg): 0.045

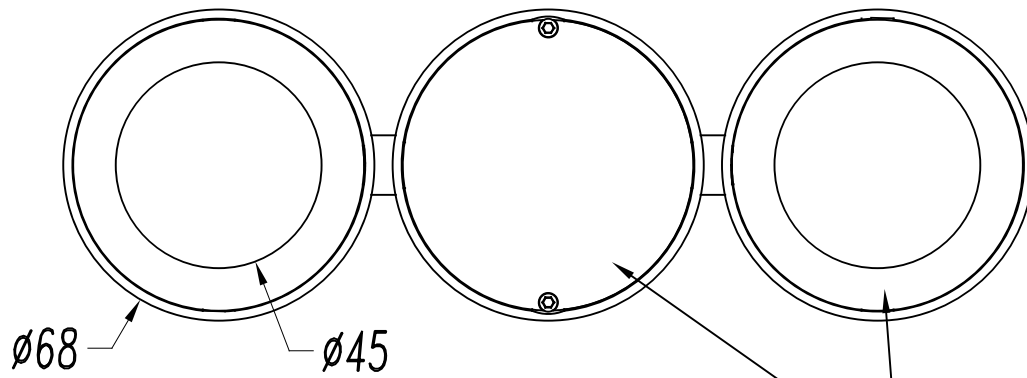


71-0073-14-14

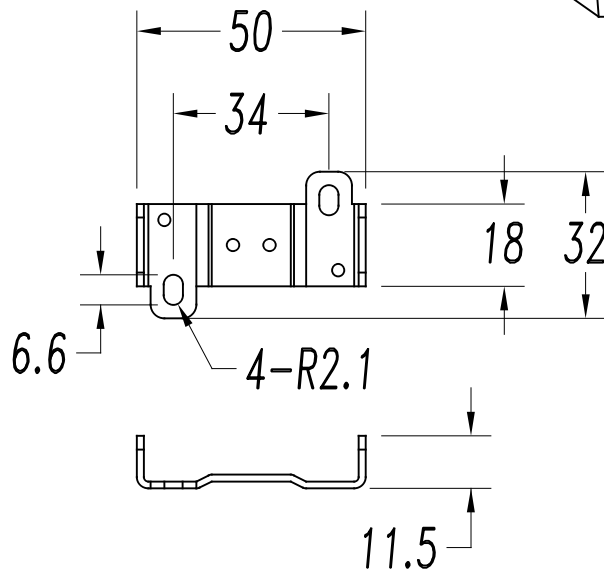
Structure material: Steel
Dimensions: 68 x 0 x 20
Net Weight (Kg): 0.045



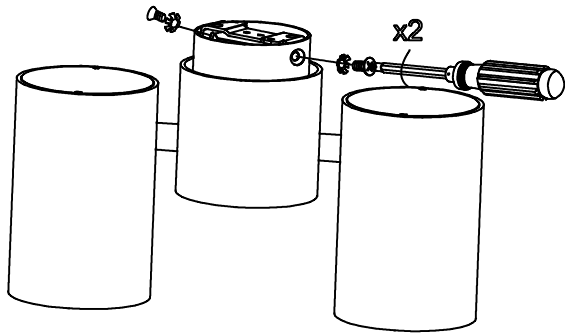
ALUMINIUM/WHITE



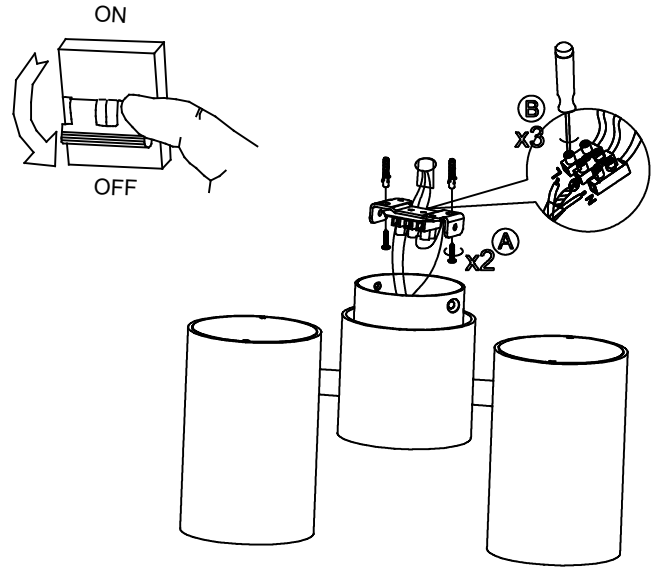
STEEL/BLACK



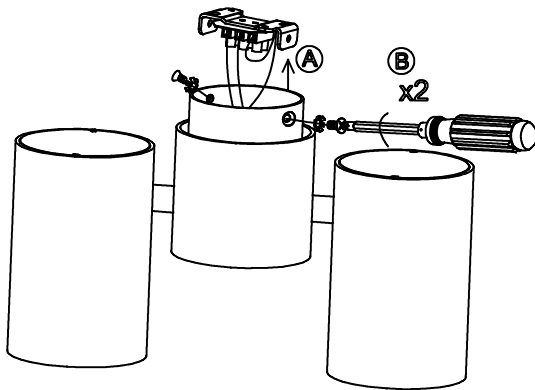
1



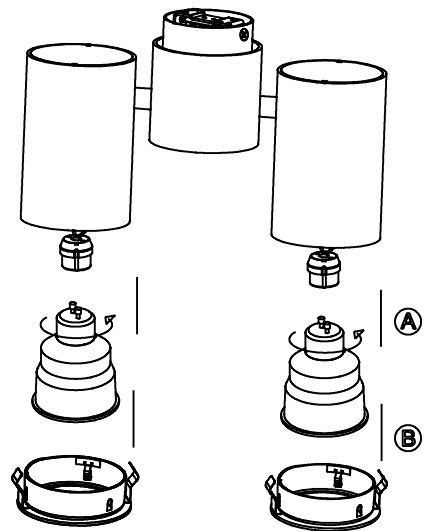
2



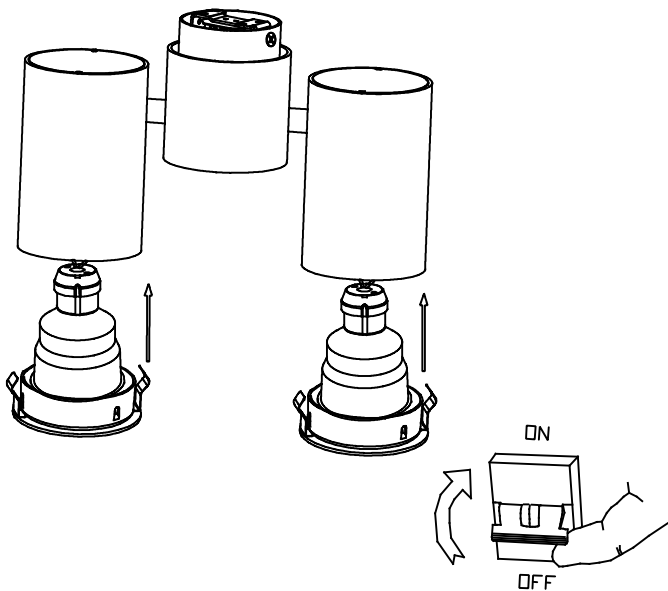
3



4



5



6

